



T322LEDB-G2

22" SKYLINE SERIES

JOB INFORMATION

Type: _____
 Catalog No: _____
 Project Name: _____
 Comments: _____
 Prepared by: _____

T322LEDB-G2

FEATURES

USE OF PRODUCT

The Skyline LED luminaire delivers exceptional performance in a sleek, low-profile design with various lumen and optical distribution options. The intended use of this product is for building areas, parking lots, auto dealerships, roadways, walkways, pedestrian pathways, and security lighting.

CONSTRUCTION

Die-cast aluminum fixture with isolated driver compartment and finned heat sink keep electrical temperatures in suitable ratings for optimal performance.

FINISH

Bronze matte-finished, architectural powder coat over a precise chromate conversion coating. Consult factory for made-to-order architectural finish.

ELECTRICAL

≥0.9 Power factor
 <20% Total harmonic distortion
 120V–277V 50/60Hz
 -40°C Minimum temperature
 +45°C Maximum temperature

LED

Standard LED driver with 0–10V dimming. Shipped with 10KV surge protection. Optional photo control or PIR (motion) sensor available upon request for further energy savings and security measures. Consult factory for PIR setting capabilities.

DRIVER

Durable LED driver operates at 120–277V with 0–10V dimming protocol. Power factor: 0.90; 50 to 60 Hz. Driver protections include output open load, over-current and short-circuit, and over-temperature with auto recovery. -30°C minimum temperature to 40°C maximum temperature.

OPTICS

Precisely designed optics to maximize distribution, efficiency, and spacing. UV resistance polycarbonate lens is available in Type III (standard), Type IV, or Type V distribution patterns. Offered standard in 4000K CCT in 72+ CRI. Optional 3000K, 3500K, or 5000K CCT are available upon request.

MOUNTING

Round/square pole arm mount with quick mount design for ease of installation, wall mount, or adjustable slipfitter available upon request. Fixture pole must be mounted on a concrete base (supplied by others).

EPA

Effective projected area (Sq. Ft): 0.988 ft².

LISTINGS/COMPLIANCE/ WARRANTY

- UL/cUL wet location listed.
- DLC qualified.
- 5-year limited warranty.



ORDERING INFO

SERIES	WATT/LUMENS	COLOR TEMPERATURE	VOLTAGE	DISTRIBUTION TYPES
T322LEDB	WS300 - Wattage Selectable (120W, 180W, 240W, 300W) S120W - Set at 120W S180W - Set at 180W S240W - Set at 240W S300W - Set at 300W	CTS - Color Temp. Selectable (3000K, 4000K, 5000K) S30K - Set at 3000K S40K - Set at 4000K S50K - Set at 5000K	UNV¹ - 120V-277V 480V² - 347-480V	T2 - Type II T3³ - Type III T4 - Type IV T5 - Type V
	WS400 - Wattage Selectable (160W, 240W, 320W, 400W) S160W - Set at 160W S240W - Set at 240W S320W - Set at 320W S400W - Set at 400W			

MOUNTING

AMR - Arm Mount Round
AMS - Arm Mount Square
AAM - Adjustable Square Mount
AWM - Adjustable Wall Mount
WM - Fixed Wall Arm Mount
SF - Slipfitter
SB - Swivel Bracket
TWMB-SF⁴ - Wall Mount Bracket with Slipfitter
TWMB90-SF⁴ - Wall Mount 90° Bracket with Slipfitter

FINISH

BZ - Bronze
MTO - Made To Order
MGTO - Marine Grade Made To Order

OPTIONS

GV90 - 90° Glare Visor
GV360 - 360° Glare Visor
MSI - Standard PIR Motion Sensor Integral
MSR³ - Motion Sensor PIR Remote
RC100 - Remote Control for Motion Sensor
PN3 - Photocell NEMA 3 Pin
PN3480 - Photocell NEMA 3 Pin 480V
SGS140 - Slatted Glare Shield (PAIR) 140V
SGS300 - Slatted Glare Shield (PAIR) 300V

Notes

1. D.L.C. Only available in 120-277V
2. Dedicated driver.
3. Standard Distribution Type
4. Bracket with 2.375" (OD) tenon.

T322LEDB-G2

22" SKYLINE SERIES

T322LEDB-WS300 PERFORMANCE CHART

WATTAGE	DISTRIBUTION TYPE	CRI	3000K	4000K	5000K
300W	T2	70	43769 lm	48503 lm	44702 lm
	T3	70	44208 lm	44813 lm	44723 lm
	T4	70	41099 lm	45082 lm	42077 lm
	T5	70	42598 lm	46088 lm	43582 lm
240W	T2	70	33687 lm	37062 lm	34589 lm
	T3	70	33669 lm	34566 lm	37072 lm
	T4	70	33660 lm	37064 lm	34589 lm
	T5	70	34569 lm	38091 lm	35576 lm
180W	T2	70	26027 lm	28656 lm	26665 lm
	T3	70	26025 lm	28656 lm	26666 lm
	T4	70	26050 lm	28672 lm	26675 lm
	T5	70	26679 lm	29747 lm	27594 lm
120W	T2	70	18057 lm	20099 lm	18556 lm
	T3	70	18084 lm	20099 lm	18571 lm
	T4	70	18064 lm	20082 lm	18551 lm
	T5	70	18562 lm	20872 lm	19033 lm

T322LEDB-WS300 B.U.G. RATING

WATTS	DISTRIBUTION	B U G
300W	Type II	5 0 4
	Type III	4 0 4
	Type IV	4 0 4
	Type V	5 0 4

T322LEDB-WS400 PERFORMANCE CHART

WATTAGE	DISTRIBUTION TYPE	CRI	4000K	5000K
400W	T2	70	60500 lm	60000 lm
	T3	70	60500 lm	60000 lm
	T4	70	60500 lm	60000 lm
	T5	70	61000 lm	60800 lm
320W	T2	70	49000 lm	48600 lm
	T3	70	49000 lm	48600 lm
	T4	70	49000 lm	48600 lm
	T5	70	50000 lm	49500 lm
240W	T2	70	37600 lm	37200 lm
	T3	70	37600 lm	37200 lm
	T4	70	37600 lm	37200 lm
	T5	70	38500 lm	37600 lm
160W	T2	70	26000 lm	25600 lm
	T3	70	26000 lm	25600 lm
	T4	70	26000 lm	25600 lm
	T5	70	26500 lm	26000 lm

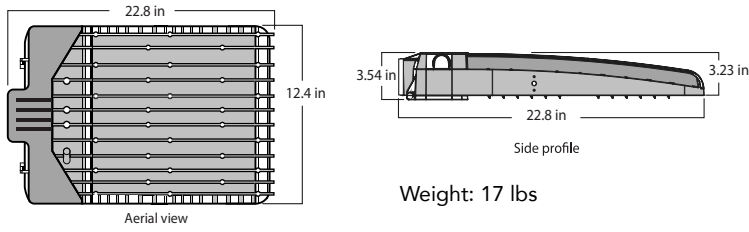
T322LEDB-WS400 B.U.G. RATING

WATTS	DISTRIBUTION	B U G
400W	Type II	5 0 4
	Type III	5 0 5
	Type IV	5 0 5
	Type V	5 0 5

T322LEDB-G2

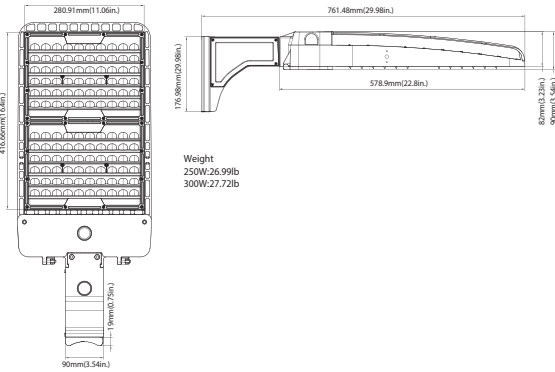
22" SKYLINE SERIES

DIMENSIONS

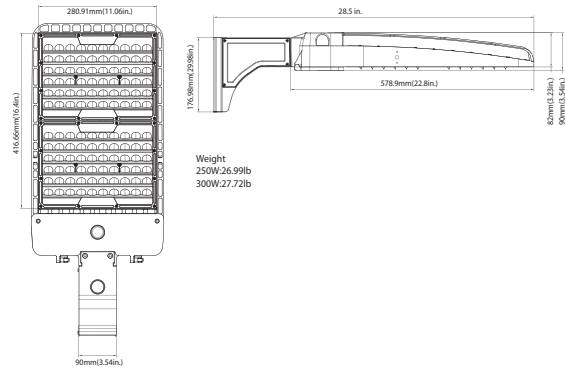


MOUNTING DIMENSIONS

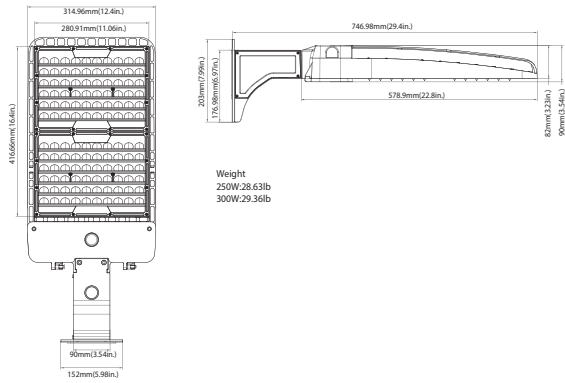
AMR - ARM MOUNT FOR ROUND POLE



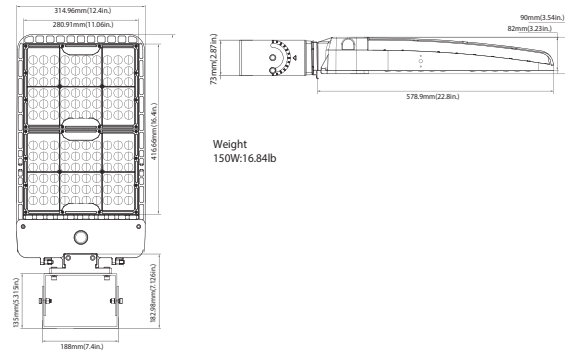
AMS - ARM MOUNT FOR SQUARE POLE



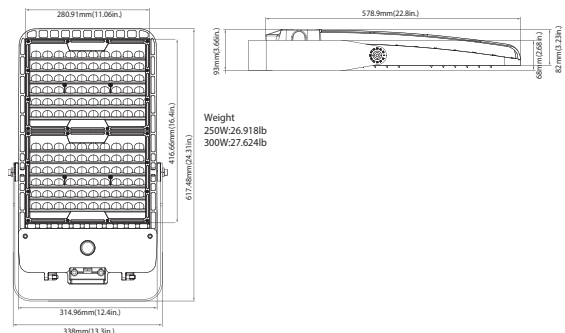
WM - FIXED WALL ARM MOUNT



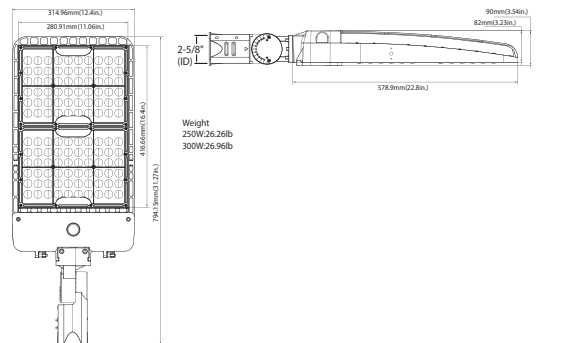
SB - SWIVEL BRACKET



YM - YOKE MOUNT



SF - SLIPFITTER

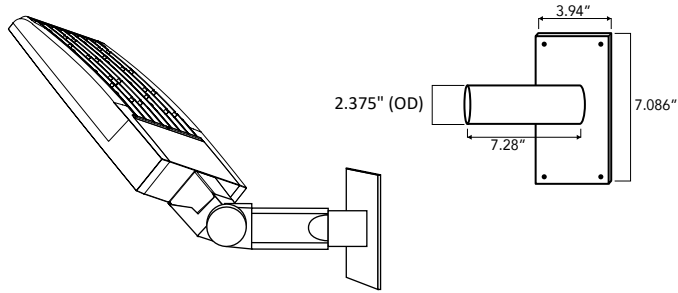


T322LEDB-G2

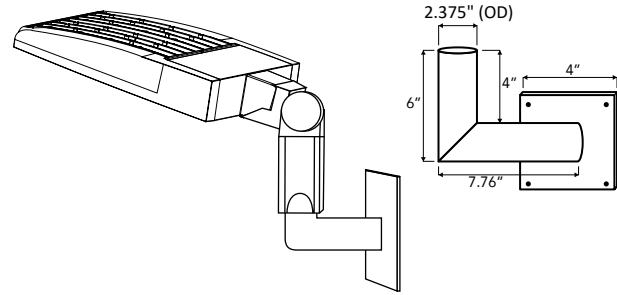
22" SKYLINE SERIES

OPTIONAL MOUNTING

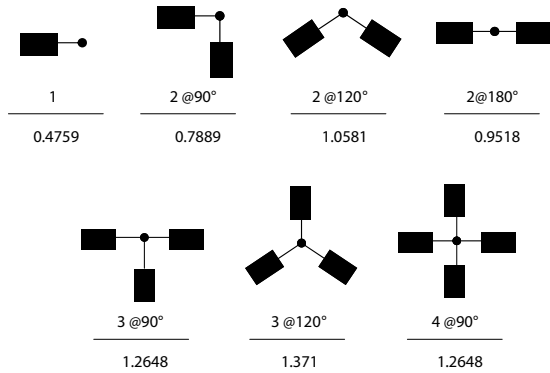
TWMB-SF - WALL MOUNT BRACKET WITH SLIPFITTER



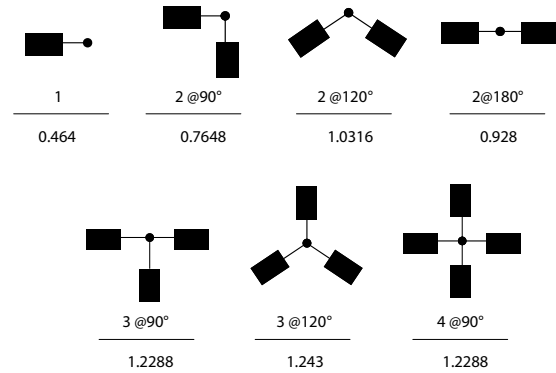
TWMB90-SF - WALL MOUNT 90° BRACKET WITH SLIPFITTER



EPA OF AREA LIGHT (SQUARE)

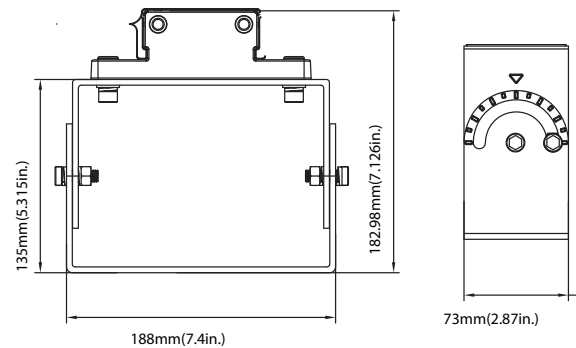


EPA OF AREA LIGHT (SLIPFITTER)

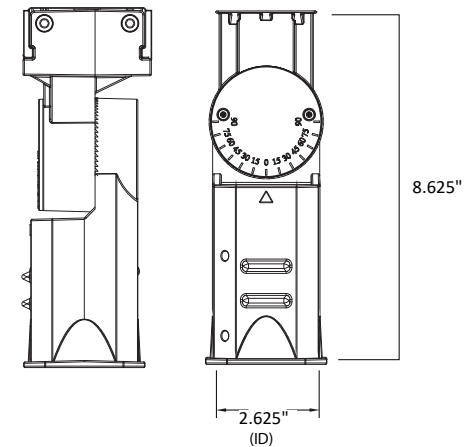


DIMENSIONS

SWIVEL BRACKET



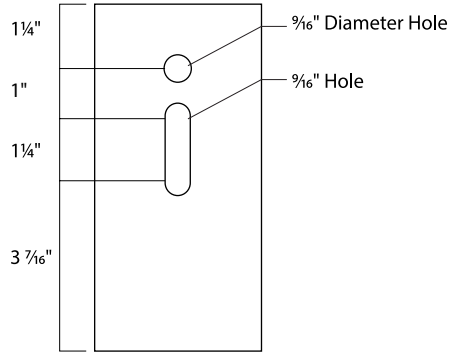
SLIPFITTER



T322LEDB-G2

22" SKYLINE SERIES

DRILL PATTERN



GLARE VISOR OPTIONS

GV90 - 90° Glare Visor



GV360 - 360° Glare Visor



SGS140 - Slatted Glare Shield 140V

SGS300 - Slatted Glare Shield 300V



For back light control